

ATLANTIC VERSION TERMINATOR INTERFACE ADAPTER	PART NUMBER	REVISION	DESCRIPTION	FEED TYPE	APPLICATOR STYLE CONVERSION CHART						
					CONVERT TO	PART NUMBERS REQUIRED					
	2151934-2	A	FINE CRIMP HEIGHT ADJUST	PNEUMATIC	MECHANICAL FEED	2119949-1	1338685-1	5-18022-5	2119653-1	-	-
					SERVO LATCH PLATE	2119951-1	-	8-2151934-5	1901094-3	-	2168400-6 (QUANTITY 2)
					SMART APPLICATOR	2161326-1	-	8-2151934-4	-	-	-
	2151934-5	A	FINE CRIMP HEIGHT ADJUST	SERVO LATCH PLATE ⁴	MECHANICAL FEED	2119949-1	1338685-1	5-18022-5	2119653-1	-	-
					PNEUMATIC FEED	2119950-1	1338685-1	5-18022-5	2119641-1	2119799-1	2063440-1
	2151934-6	A	NON-CRIMP HEIGHT ADJUST	SERVO LATCH PLATE ⁴	-	-	-	-	-	-	-
					-	-	-	-	-	-	-
	2151934-7	A	FINE CRIMP HEIGHT ADJUST	NONE	-	-	-	-	-	-	-
	7-2151934-7	A	CRIMP TOOLING KIT	-	-	-	-	-	-	-	-

APPL DATA		
CRIMP	SIZE	TYPE
WIRE	4.06 mm [.160]	F
INSUL	5.34 mm [.210]	F

APPLICATOR INSTRUCTIONS
408-10389

TERMINAL DATA: TE TERMINAL	TE CRIMP SPECIFICATION
TERMINAL NAME: TAB 5.8 X 0.8 ASS'Y	
WIRE STRIP LENGTH	INSULATION DIAMETER RANGE
5.65-5.67 mm [.222-.223 IN]	Ø4.00-6.00 mm [.157-.236 IN]
TERMINAL APPLICATION SPECIFICATION	114-18052
TERMINALS APPLIED	
TE TERMINAL	TE TERMINAL
1-968050-1	

WIRE SIZE	CRIMP HEIGHT mm [INCH]	CRIMP HEIGHT REFERENCE SETTING
6.00mm2	2.20+/-0.05 [.087+/-0.002]	8.2
4.00mm2	2.08+/-0.05 [.082+/-0.002]	9.4

- RECOMMENDED SPARE PARTS
- GREASE BEARING SURFACES LIGHTLY
- 3. LUBRICATE DAILY PER THE APPLICATOR INSTRUCTION SHEET SUPPLIED WITH THE APPLICATOR.
- APPLICATOR SPECIFIC DATA TO BE ENTERED INTO BLANK MEMORY CHIP AT ASSEMBLY. SEE BELOW FOR PART NUMBER:
 PNEUMATIC FEED WITH "SMART APPLICATOR" CONVERSION: 8-2151934-4
 SERVO FEED WITH "FINE CRIMP HEIGHT ADJUST": 8-2151934-5
 SERVO FEED WITH "NON-CRIMP HEIGHT ADJUST": 8-2151934-6
- 5. ADJUSTMENT OF THE STRIPPER MAY BE REQUIRED WHEN MOVING THE APPLICATOR BETWEEN BENCH AND LEADMAKER APPLICATIONS.
- APPLY PART NUMBER 1-23419-5 LOCTITE TO THREADS OF ITEMS 62. APPLY PART NUMBER 2-23419-6 LOCTITE TO THREADS OF ITEMS 242. FOR -6 ONLY APPLY PART NUMBER 1-23419-5 LOCTITE TO THREADS OF ITEMS 37.
- GREASE THREADS, GROOVE AND O-RING ON ITEMS 35 & 252.
- MAGNET, ITEM 166 MUST BE ORIENTED CORRECTLY IN ORDER TO PROPERLY ACTUATE THE COUNTER.
- CRIMP HEIGHT REFERENCE SETTING WAS THE SETTING USED WHEN THE APPLICATOR WAS QUALIFIED AT THE FACTORY. ADJUSTMENT MAY BE NECESSARY WHEN RUNNING APPLICATOR IN THE FIELD.
- SPARE FEED CAM STORAGE LOCATION REFER TO INSTRUCTION SHEET FOR ADDITIONAL INFORMATION.
- TO CONVERT THE APPLICATOR TO A NON-CARRIER CUTTING STYLE, REMOVE ITEM 13 AND ATTACH TO THE LOCATION ON THE BACK SIDE OF THE HOUSING. REFER TO INSTRUCTION SHEET FOR ADDITIONAL INFORMATION.
- WHEN ASSEMBLING A NON CRIMP HEIGHT ADJUST APPLICATOR (-6) USE SHIMS FROM ITEM 260 TO ACHIEVE A NOMINAL SHIM HEIGHT OF 3.33.
- 13. TERMINAL PITCH NOT COMPATIBLE WITH MECHANICAL FEED.

SUPERSEDED BY:
2836527

***WARNING**
 ON INSTALLATION, SET WIRE DISC, ITEM 40 TO LARGEST WIRE SIZE SETTING. USE OF SETTINGS BELOW MINIMUM REQUIRED CRIMP HEIGHT SETTING WILL CAUSE DAMAGE TO CRIMP TOOLING.

-	-	1	-	-	2119957-2	APPLICATOR SHIM PACK	260
-	1	1	1	1	1803078-4	SPACER, PRECISION	259
-77	-7	-6	-5	-2	PART NO	DESCRIPTION	ITEM NO

ATLANTIC VERSION
 Shown on sheets 1 of 4 & 2 of 4
 (Pacific version shown on sheets 3 of 4 & 4 of 4)

SET UP GAUGE	LOC	DIST	REVISIONS			
2119599-1	A	66	#	DATE	OWN	APVD
			1	08NOV2013	EO	CL
			A	08NOV2013	EO	CL
			A1	04JAN2015	JH	TE
			A2	200C12016	LG	JD

-	1	-	1	1	8-21084-0	O-RING, .676 ID, .070 DIA. MAT.	252
-	-	-	-	1	2119640-1	PUSH ROD, AIR FEED	250
-	-	-	-	1	2079988-1	BUSHING, LCH5-12, MISUMI	249
-	-	-	-	1	2119641-1	FEED CAM, AIR FEED	248
-	1	-	1	1	2119798-1	DETENT PIN	247
-	1	-	1	1	1-22279-3	SPRING, COMPRESSION	246
-	-	1	-	-	2161314-1	RAM, STEPPED, ATLANTIC, SF, NON-ADJ	245
-	1	1	1	1	2119082-9	CAM, SNAIL, INSULATION ADJUSTMENT	244
-	1	1	1	1	2079764-1	WASHER, WAVE SPRING, CREST-TO-CREST	243
-	1	1	1	1	2119083-1	RETAINER, INSULATION DIAL	242
-	1	1	1	1	7-18023-7	SCR, SKT HD CAP M3 X 4.0	241
-	-	2	2	-	2168400-6	SHCS, LOW HEAD, RoHS, M5 X 16	240
-	-	-	-	1	2063440-1	AIR FEED MODULE	238
-	-	1	1	-	2119740-2	TAG, IDENTIFICATION	213
-	-	1	1	-	1901094-3	SPACER, FEEDER	198
-	-	-	-	2	21045-3	RING, RETAIN, EXTERN, 3/16 CRESCENT	172
-	1	1	1	1	994969-1	MAGNET, RARE EARTH HIGH ENERGY	166
-	REF	REF	REF	REF	994970-2	COUNTER, MAGNETIC	164
-	-	-	-	1	240638-1	SPRING, FEED FINGER	163
-	-	-	-	1	3-23627-7	PIN, RETAIN, GRVD, 3/16 X .854	137
-	-	-	-	1	2119799-1	HOLDER, FEED FINGER, AF	136
-	-	REF	REF	-	SEE NOTE 4	MEMORY CHIP, PROGRAMMED	135
-	-	1	1	-	1633743-1	SERVO FEED LATCH ASM	133
-	1	1	1	1	1-18028-2	WASHER, FLAT, REG M4	119
-	-	REF	REF	-	2119944-1	FEED FINGER ASSEMBLY, SF	117
-	1	1	1	1	455888-1	SPACER, CRIMPER	82
-	2	2	2	2	18024-6	SCR, BTN SKT HD CAP (M4 X 8.0)	79
-	1	1	1	1	1633470-2	EXTENSION PLATE	78
-	1	1	1	1	2119956-1	DOCUMENTATION PACKAGE	71
-	1	-	-	1	2119740-1	TAG, IDENTIFICATION	67
-	2	2	2	2	2168078-1	SCREW, DRIVE, RH, RoHS, 2 x .188	66
-	1	-	1	1	2119793-1	LIMITER, ADJUSTMENT BOLT	63
-	3	-	3	3	992763-5	SCR, SET, SOC, CONE POINT, M3 x 4.0	62
-	1	1	1	1	2079383-4	SCR, BHSC, RoHS (M4 X 8)	60
-	-	-	-	1	5-18022-5	SCR, HEX HD CAP, M4 X 6.0	59
-	-	-	-	1	1338685-1	PAWL, FEED	56
-	4	4	4	4	2168400-1	SHCS, LOW HEAD, RoHS, M4 X 12	54
-	2	2	2	2	2168083-2	SCR, SKT HD CAP, RoHS, M4 X 8.0	53
-	1	1	1	1	5018030-1	NUT, HEX, REG, RoHS, M3	52
-	1	1	1	1	811242-5	BUMPER, HOLD DOWN	51
-	1	1	1	1	690753-6	SPACER, TONKER	50
-	-	-	-	1	18023-9	SCR, SKT HD CAP M4 X 6.0	49
-	1	1	1	1	2119656-9	APPLICATOR BASIC ASSEMBLY, SF	46
-	1	-	1	1	2161311-1	RAM, STEPPED, AMP STYLE, SIDE FEED	44
-	1	1	1	1	1-2079383-5	SCR, BHSC, RoHS (M8 X 40)	41
-	1	-	1	1	2119645-1	DISC, NUMBERED FA WIRE ADJUSTMENT	40
-	1	-	1	1	2119957-1	APPLICATOR SHIM PACK	39
-	1	1	1	1	2119644-3	RAM WASHER, PRECISION	38
-	1	1	1	1	2119085-1	FA HEAD, ATLANTIC STYLE	37
-	1	-	1	1	2119092-1	BOLT, ADJUSTMENT	35
-	1	1	1	1	1-1752356-2	SUPPORT, TERMINAL	34
-	2	2	2	2	2079383-5	SCR, BHSC, RoHS (M4 X 20)	33
-	1	1	1	1	2161328-1	HEX HEAD, FLANGED, M5 x 8mm LONG	32
-	1	1	1	1	1320908-4	SPACER, STRIP GUIDE	30
-	1	1	1	1	2119959-1	ASSEMBLY, STRIP GUIDE	29
-	1	1	1	1	1-455888-0	SPACER, CRIMPER	28
-	1	1	1	1	1320928-6	STRIP GUIDE	24
-	1	1	1	1	2168083-2	SCR, SKT HD CAP, RoHS, M4 X 8.0	21
-	1	1	1	1	1-18028-2	WASHER, FLAT, REG M4	20
-	1	1	1	1	2119533-1	STRIPPER, SIDE FEED	19
-	1	1	1	1	2119806-1	INSERT, SHEAR	13
-	1	1	1	1	3-22280-3	SPRING, COMPRESSION	12
-	1	1	1	1	1-356885-4	STOP, SHEAR	11
-	1	1	1	1	2119805-1	SHEAR HOLDER, FRONT	10
-	1	1	1	1	6-454276-7	FLOATING SHEAR, FRONT	9
-	1	1	1	1	2-1633928-2	ANVIL, COMBINATION	8
-	-	-	-	-	-	-	7
-	-	-	-	-	-	-	6
-	1	1	1	1	2119757-4	DEPRESSOR, SHEAR	5
-	1	1	1	1	2-238011-1	BLOCK, CRIMPER SPACER	4
-	1	1	1	1	2-1803016-2	CRIMPER, INSULATION F	3
-	1	1	1	1	1-455888-1	SPACER, CRIMPER	2
-	1	1	1	1	1-456414-9	CRIMPER, WIRE	1
-77	-7	-6	-5	-2	PART NO	DESCRIPTION	ITEM NO

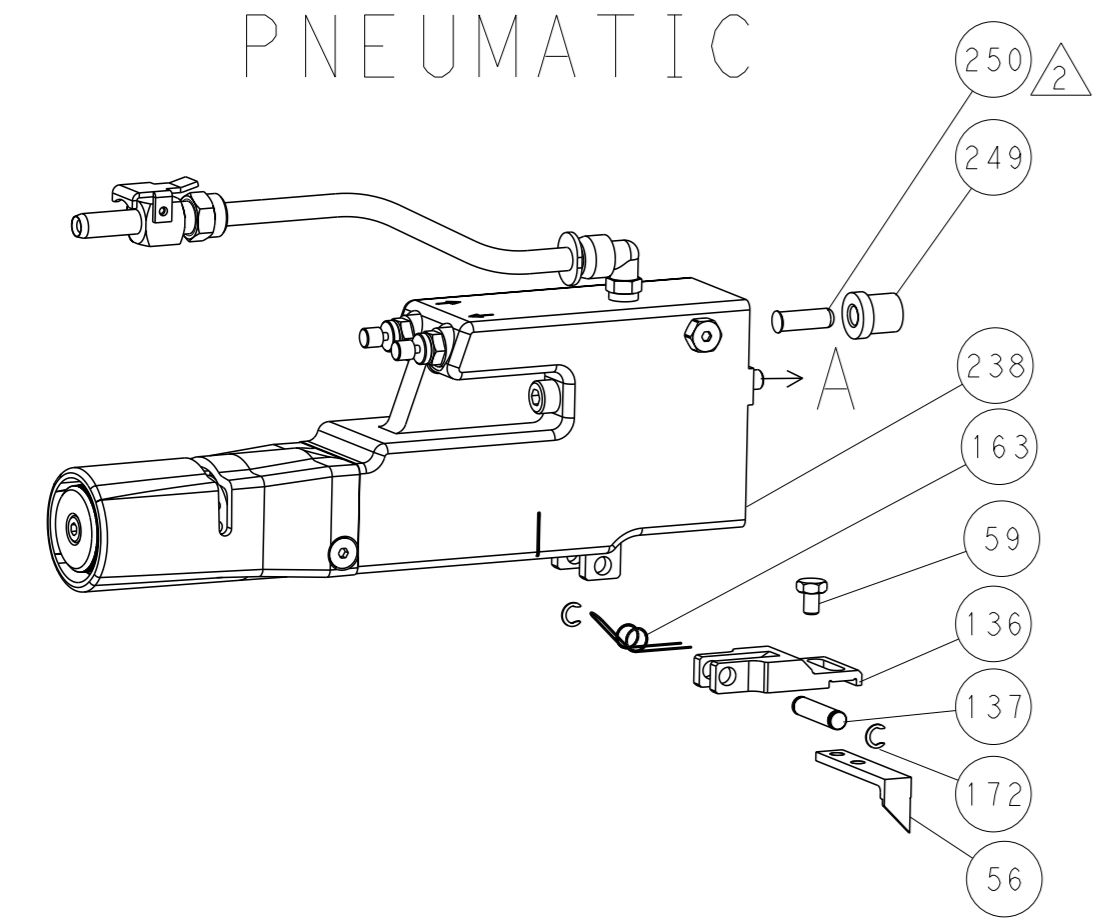
DIMENSIONS:		TOLERANCES UNLESS OTHERWISE SPECIFIED:		APPROVED:		NAME:	
mm	0 PLC ±	1 PLC ±	2 PLC ±	3 PLC ±	4 PLC ±	APPROVED	NAME
	ANGLES	FINISH		APPROVED	NAME	DATE	DATE
MATERIAL		WEIGHT		APPROVED	NAME	DATE	DATE

Customer Accessible Production Drawing SCALE 1:2 SHEET 1 of 4 REV A2

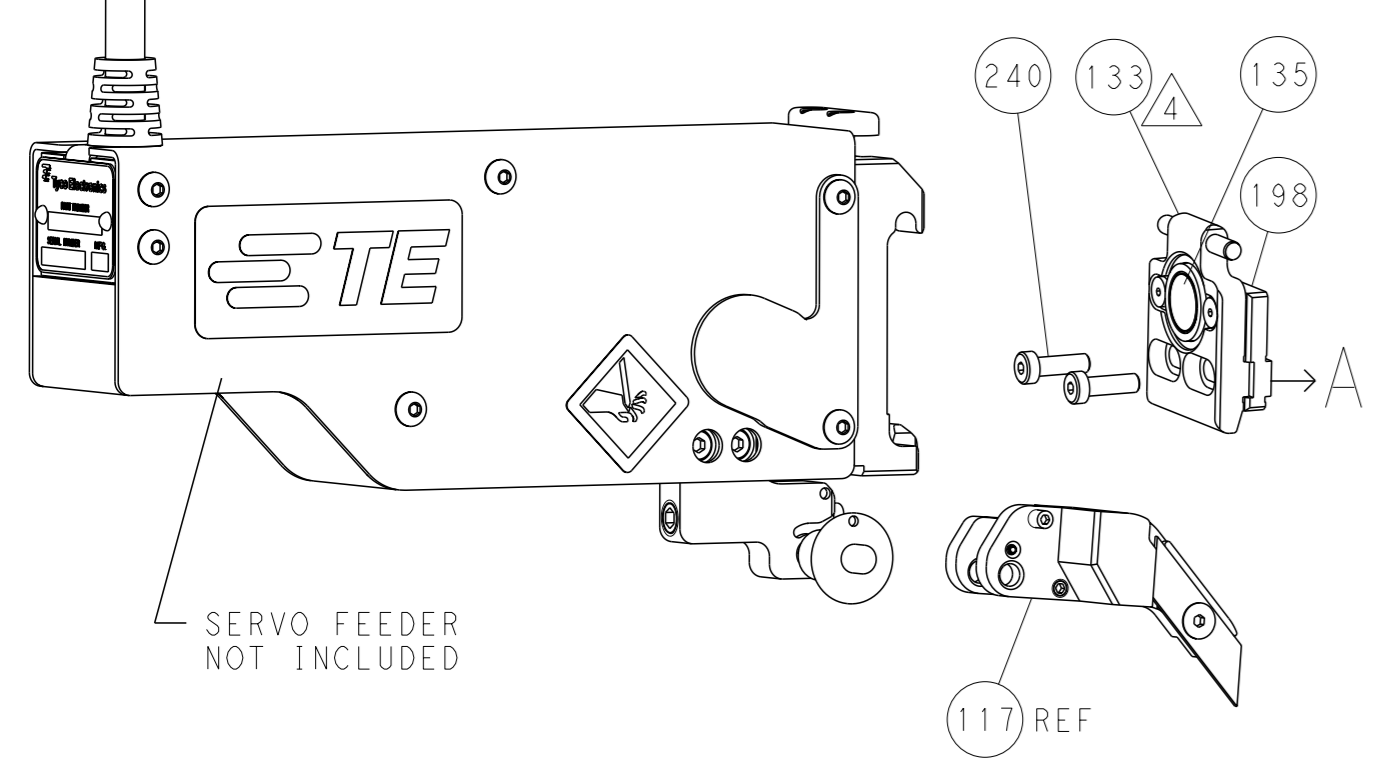
LOC		DIST		REVISIONS			
A	66	P	LYR	DESCRIPTION	DATE	OWN	APVD
		-		SEE SHEET 1	-	-	-

FEED TYPE

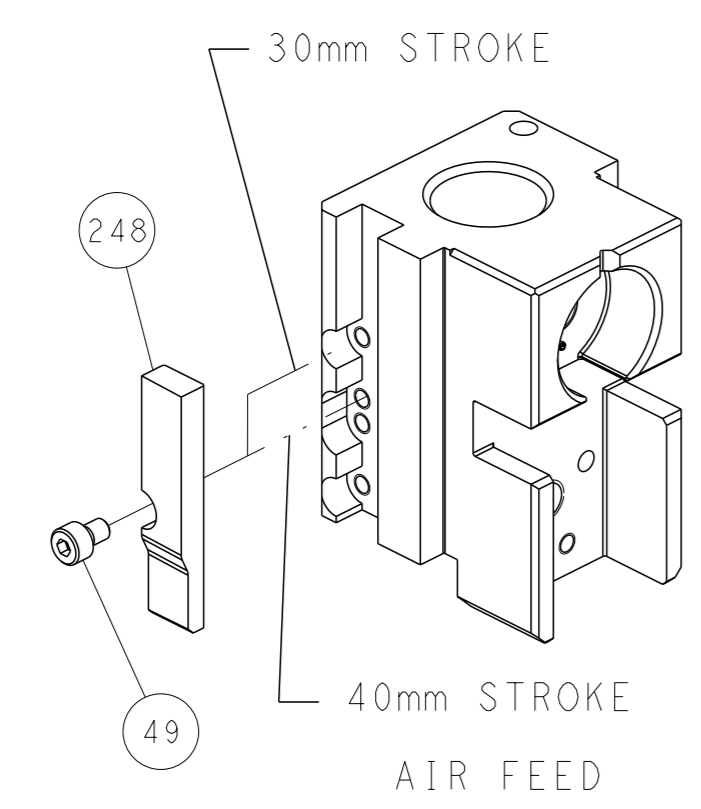
PNEUMATIC



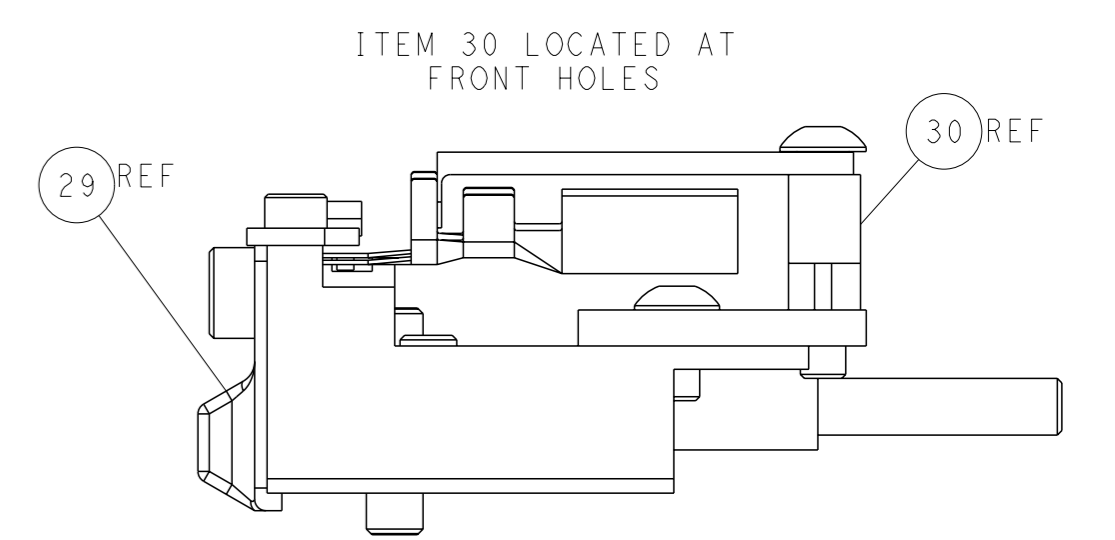
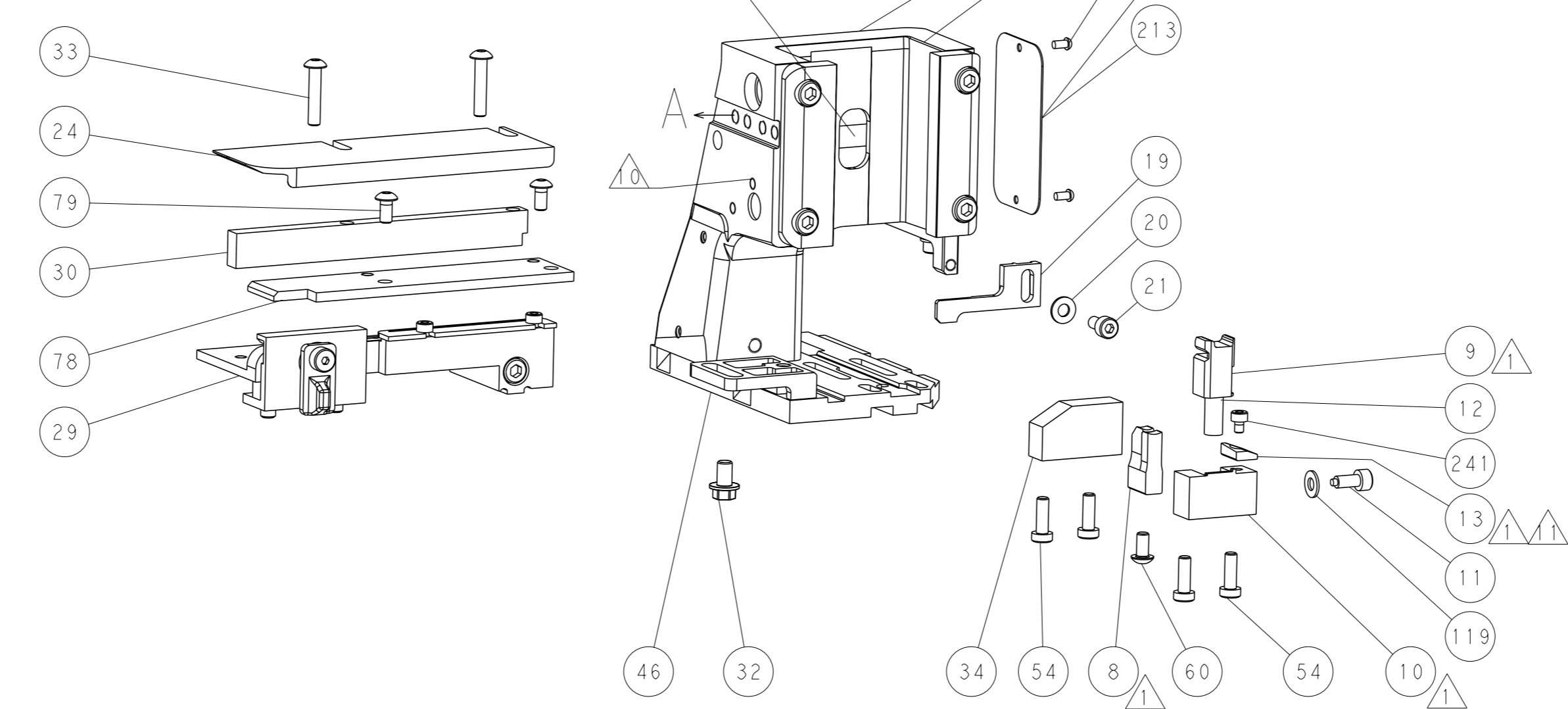
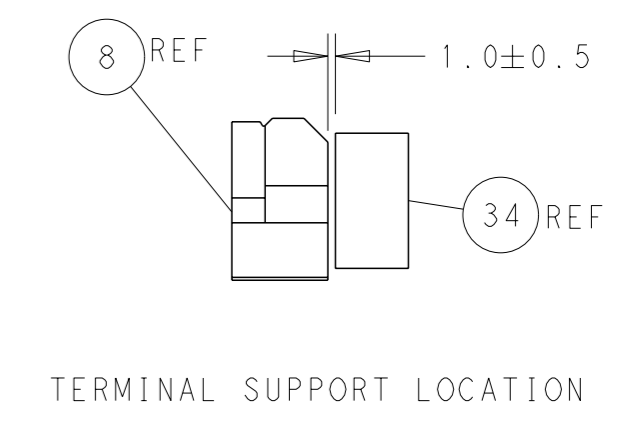
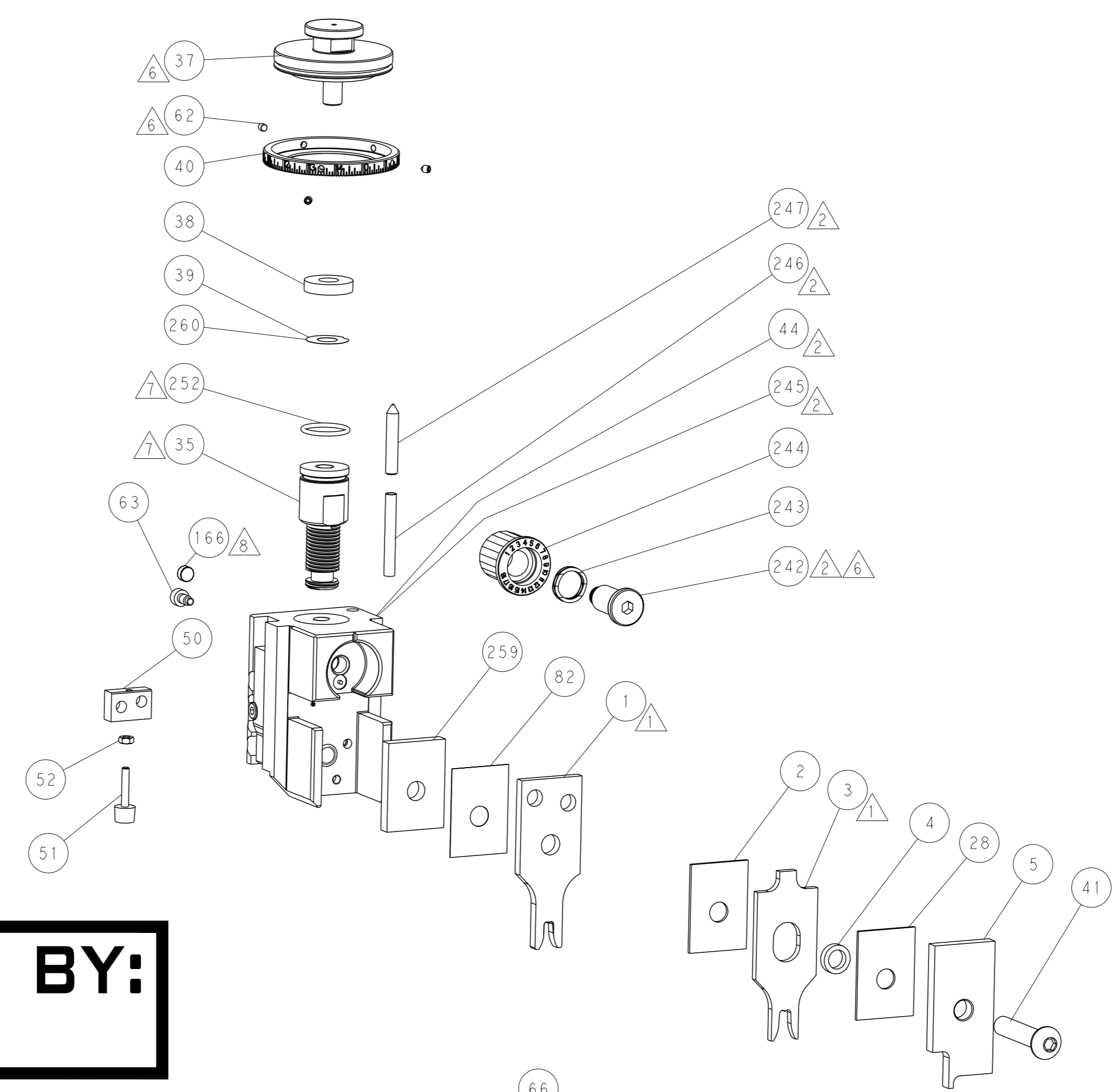
SERVO LATCH PLATE



CAM POSITIONS



SUPERSEDED BY:
2836527



ATLANTIC VERSION
 Shown on sheets 1 of 4 & 2 of 4
 (Pacific version shown on sheets 3 of 4 & 4 of 4)

<small>THIS DRAWING IS UNPUBLISHED. RELEASED FOR PUBLICATION BY TYCO ELECTRONICS CORPORATION. ALL RIGHTS RESERVED.</small>		OWN: E. OLIVEIRA CHK: S. MORAES APVD: C. LIMA	01JAN2012 01JAN2012 01JAN2012	TE Connectivity Harrisburg, PA 17105-3608
DIMENSIONS: mm TOLERANCES UNLESS OTHERWISE SPECIFIED: 0 PLC ± 1 PLC ± 2 PLC ± 3 PLC ± 4 PLC ± ANGLES FINISH ±		NAME: Ocean Side Feed Applicator SIZE: A1 CAGE CODE: 00779 DRAWING NO: 2151934	RESTRICTED TO: - SCALE: 1:2 SHEET: 2 of 4 REV: A2	CUSTOMER ACCESSIBLE PRODUCTION DRAWING

PACIFIC VERSION TERMINATOR INTERFACE ADAPTER	PART NUMBER	REVISION	DESCRIPTION	FEED TYPE	APPLICATOR STYLE CONVERSION CHART						
					CONVERT TO	PART NUMBERS REQUIRED					
	2-2151934-2	A	FINE CRIMP HEIGHT ADJUST	PNEUMATIC	MECHANICAL FEED	2119949-1	1338685-1	5-18022-5	2119653-2	-	-
					SERVO LATCH PLATE	2119951-1	-	8-2151934-5	1901094-3	-	2168400-6 (QUANTITY 2)
	2-2151934-5	A	FINE CRIMP HEIGHT ADJUST	SERVO LATCH PLATE ⁴	MECHANICAL FEED	2119949-1	1338685-1	5-18022-5	2119653-2	-	-
					PNEUMATIC FEED	2119950-1	1338685-1	5-18022-5	2119641-2	2119799-1	2063440-1
2-2151934-7	A	FINE CRIMP HEIGHT ADJUST	NONE	-	-	-	-	-	-	-	
7-2151934-7	A	CRIMP TOOLING KIT	-	-	-	-	-	-	-	-	

APPL DATA		
CRIMP	SIZE	TYPE
WIRE	4.06 mm (.160)	F
INSUL	5.34 mm (.210)	F
APPLICATOR INSTRUCTIONS 408-10389		

TERMINAL DATA: TE TERMINAL		TE CRIMP SPECIFICATION
TERMINAL NAME: TAB 5.8 X 0.8 ASS'Y		
WIRE STRIP LENGTH		INSULATION DIAMETER RANGE
5.65-5.67 mm (.222-.223 IN)		Ø4.00-6.00 mm (.157-.236 IN)
TERMINAL APPLICATION SPECIFICATION	114-18052	-
TERMINALS APPLIED		
TE TERMINAL	TE TERMINAL	TE TERMINAL
1-968050-1		

WIRE SIZE	CRIMP HEIGHT mm [INCH]	CRIMP HEIGHT REFERENCE SETTING
6.00mm2	2.20 +/- 0.05 [1.087 +/- .002]	8.2
4.00mm2	2.08 +/- 0.05 [1.082 +/- .002]	9.4

- RECOMMENDED SPARE PARTS
- GREASE BEARING SURFACES LIGHTLY
- 3. LUBRICATE DAILY PER THE APPLICATOR INSTRUCTION SHEET SUPPLIED WITH THE APPLICATOR.
- APPLICATOR SPECIFIC DATA TO BE ENTERED INTO BLANK MEMORY CHIP AT ASSEMBLY. SEE BELOW FOR PART NUMBER:
 PNEUMATIC FEED WITH "SMART APPLICATOR" CONVERSION: 8-2151934-4
 SERVO FEED WITH "FINE CRIMP HEIGHT ADJUST": 8-2151934-5
- 5. ADJUSTMENT OF THE STRIPPER MAY BE REQUIRED WHEN MOVING THE APPLICATOR BETWEEN BENCH AND LEADMAKER APPLICATIONS.
- APPLY PART NUMBER 1-23419-5 LOCTITE TO THREADS OF ITEMS 62. APPLY PART NUMBER 2-23419-6 LOCTITE TO THREADS OF ITEMS 242.
- GREASE THREADS, GROOVE AND O-RING ON ITEMS 139 & 152.
- MAGNET MUST BE ORIENTED CORRECTLY IN ORDER TO PROPERLY ACTUATE THE COUNTER.
- CRIMP HEIGHT REFERENCE SETTING WAS THE SETTING USED WHEN THE APPLICATOR WAS QUALIFIED AT THE FACTORY. ADJUSTMENT MAY BE NECESSARY WHEN RUNNING APPLICATOR IN THE FIELD.
- SPARE FEED CAM STORAGE LOCATION REFER TO INSTRUCTION SHEET FOR ADDITIONAL INFORMATION.
- TO CONVERT THE APPLICATOR TO A NON-CARRIER CUTTING STYLE, REMOVE ITEM 13 AND ATTACH TO THE LOCATION ON BACK SIDE OF THE HOUSING. REFER TO INSTRUCTION SHEET FOR ADDITIONAL INFORMATION.
- 12. TERMINAL PITCH NOT COMPATIBLE WITH MECHANICAL FEED.

SUPERSEDED BY:
2836527

***WARNING**
 ON INSTALLATION, SET WIRE DISC, ITEM 40 TO LARGEST WIRE SIZE SETTING. USE OF SETTINGS BELOW MINIMUM REQUIRED CRIMP HEIGHT SETTING WILL CAUSE DAMAGE TO CRIMP TOOLING.

PACIFIC VERSION
 Shown on sheets 3 of 4 & 4 of 4
 (Atlantic version shown on sheets 1 of 4 & 2 of 4)

SET UP GAUGE	LOC	DIST	REVISIONS					
2119599-1	A	66	#	DATE	DESCRIPTION	DATE	OWN	APVD
			-		SEE SHEET 1	-	-	-

-	1	1	1	1803078-4	SPACER, PRECISION			259
-	1	1	1	2119782-1	FINE ADJUST HEAD ASM, PACIFIC STYLE			251
-	-	-	1	2119640-1	PUSH ROD, AIR FEED			250
-	-	-	1	2079988-1	BUSHING, LCH5-12, MISUMI			249
-	1	1	1	1-22279-3	SPRING, COMPRESSION			246
-	1	1	1	2119082-9	CAM, SNAIL, INSULATION ADJUSTMENT			244
-	1	1	1	2079764-1	WASHER, WAVE SPRING, CREST-TO-CREST			243
	1	1	1	2119083-1	RETAINER, INSULATION DIAL			242
-	1	1	1	7-18023-7	SCR, SKT HD CAP M3 X 4.0			241
-	-	2	-	2168400-6	SHCS, LOW HEAD, RoHS, M5 X 16			240
-	-	-	1	2063440-1	AIR FEED MODULE			238
-	-	1	-	2119740-2	TAG, IDENTIFICATION			213
-	-	1	-	1901094-3	SPACER, FEEDER			198
-	-	-	2	21045-3	RING, RETAIN, EXTERN, 3/16 CRESCENT			172
-	1	1	1	994969-1	MAGNET, RARE EARTH HIGH ENERGY			166
-	REF	REF	REF	994970-2	COUNTER, MAGNETIC			164
-	-	-	1	240638-1	SPRING, FEED FINGER			163
-	1	1	1	8-21084-1	O-RING, .801 ID, .070 DIA, MAT.			152
-	-	-	1	2119641-2	FEED CAM, AIR FEED			151
-	1	1	1	2119798-2	DETENT PIN			145
-	1	1	1	2079383-8	SCR, BHSC, RoHS (M4 X 16)			144
-	4	4	4	2168400-5	SHCS, LOW HEAD, RoHS, M4 X 20			143
-	1	1	1	1-2119656-0	APPLICATOR BASIC ASSEMBLY, SF			141
-	1	1	1	2161312-1	RAM, STEPPED, ASIAN STYLE, SIDE FEED			140
-	1	1	1	2119092-2	BOLT, ADJUSTMENT			139
-	-	-	1	3-23627-7	PIN, RETAIN, GRVD, 3/16 X .854			137
-	-	-	1	2119799-1	HOLDER, FEED FINGER, AF			136
-	-	REF	-	SEE NOTE 4	MEMORY CHIP, PROGRAMMED			135
-	-	1	-	1633743-1	SERVO FEED LATCH ASM			133
-	1	1	1	1-18028-2	WASHER, FLAT, REG M4			119
-	-	REF	-	2119944-1	FEED FINGER ASSEMBLY, SF			117
-	1	1	1	455888-1	SPACER, CRIMPER			82
-	2	2	2	18024-6	SCR, BTN SKT HD CAP (M4 X 8.0)			79
-	1	1	1	1633470-2	EXTENSION PLATE			78
-	1	1	1	2119956-1	DOCUMENTATION PACKAGE			71
-	1	-	1	2119740-1	TAG, IDENTIFICATION			67
-	2	2	2	2168078-1	SCREW, DRIVE, RH, RoHS, 2 x .188			66
-	1	1	1	2119793-1	LIMITER, ADJUSTMENT BOLT			63
	3	3	3	992763-5	SCR, SET, SOC, CONE POINT, M3 X 4.0			62
-	-	-	1	5-18022-5	SCR, HEX HD CAP, M4 X 6.0			59
-	-	-	1	1338685-1	PAWL, FEED			56
-	2	2	2	2168083-2	SCR, SKT HD CAP, RoHS, M4 X 8.0			53
-	1	1	1	5018030-1	NUT, HEX, REG, RoHS, M3			52
-	1	1	1	811242-5	BUMPER, HOLD DOWN			51
-	1	1	1	690753-6	SPACER, TONKER			50
-	-	-	1	18023-9	SCR, SKT HD CAP M4 X 6.0			49
-	1	1	1	1-2079383-5	SCR, BHSC, RoHS (M8 X 40)			41
-	1	1	1	2119645-1	DISC, NUMBERED FA WIRE ADJUSTMENT			40
-	1	1	1	2119957-1	APPLICATOR SHIM PACK			39
-	1	1	1	2119644-3	RAM WASHER, PRECISION			38
-	1	1	1	1-1752356-2	SUPPORT, TERMINAL			34
-	2	2	2	2079383-5	SCR, BHSC, RoHS (M4 X 20)			33
-	1	1	1	2161328-1	HEX HEAD, FLANGED, M5 X 8mm LONG			32
-	1	1	1	1320908-4	SPACER, STRIP GUIDE			30
-	1	1	1	2119959-1	ASSEMBLY, STRIP GUIDE			29
-	1	1	1	1-455888-0	SPACER, CRIMPER			28
-	1	1	1	1320928-2	STRIP GUIDE			24
-	1	1	1	2168083-2	SCR, SKT HD CAP, RoHS, M4 X 8.0			21
-	1	1	1	1-18028-2	WASHER, FLAT, REG M4			20
-	1	1	1	2119533-1	STRIPPER, SIDE FEED			19
	1	1	1	2119806-1	INSERT, SHEAR			13
-	1	1	1	3-22280-3	SPRING, COMPRESSION			12
-	1	1	1	1-356885-4	STOP, SHEAR			11
	1	1	1	2119805-1	SHEAR HOLDER, FRONT			10
	1	1	1	6-454276-7	FLOATING SHEAR, FRONT			9
	1	1	1	2-1633928-2	ANVIL, COMBINATION			8
-	-	-	-	-	-			7
-	-	-	-	-	-			6
-	1	1	1	2119757-4	DEPRESSOR, SHEAR			5
-	1	1	1	2-238011-1	BLOCK, CRIMPER SPACER			4
	1	1	1	2-1803016-2	CRIMPER, INSULATION F			3
-	1	1	1	1-455888-1	SPACER, CRIMPER			2
	1	1	1	1-456414-9	CRIMPER, WIRE			1

DIMENSIONS:		TOLERANCES UNLESS OTHERWISE SPECIFIED:		APPROVED:		NAME:	
mm	0 PLC ±	1 PLC ±	2 PLC ±	3 PLC ±	4 PLC ±	APVD	NAME
	ANGLES	FINISH					
MATERIAL				WEIGHT			

ITEM NO	PART NO	DESCRIPTION				
-77	-27	-25	-22	PART NO	DESCRIPTION	ITEM NO

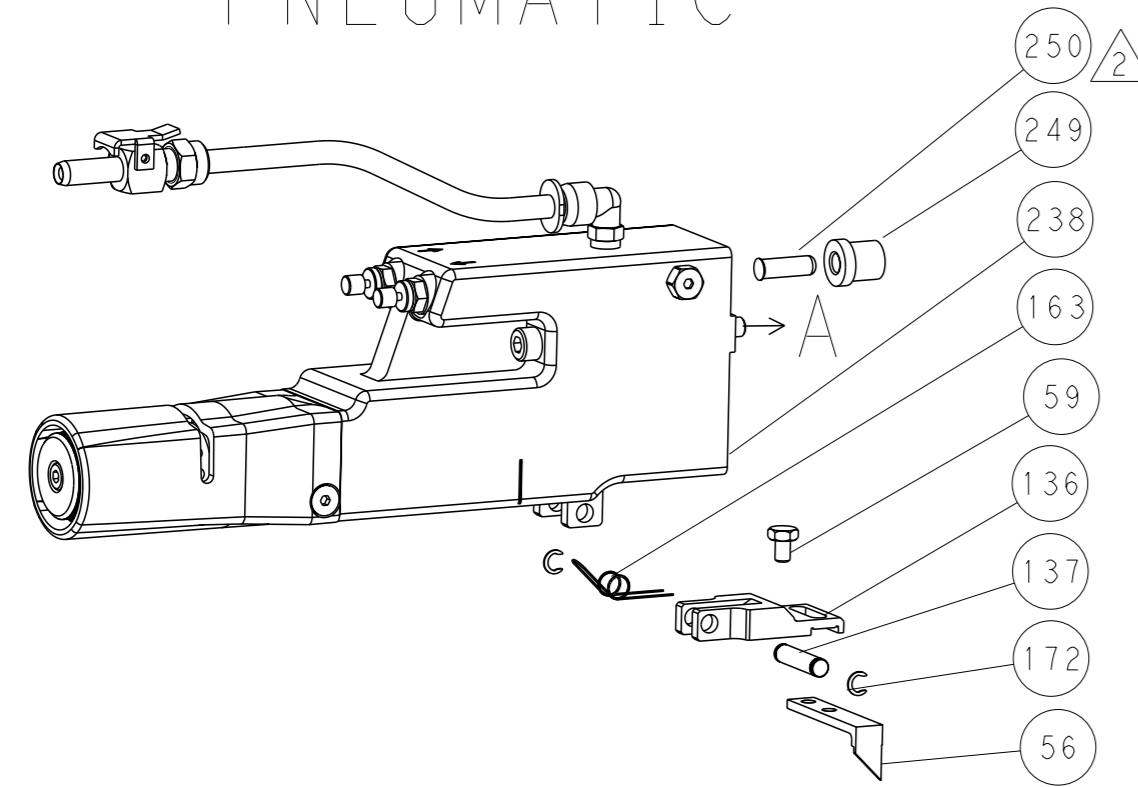
OWN	CHK	APVD	DATE	NAME
E. OLIVEIRA	S. MORAES	C. LIMA	01JAN2012	01JAN2012

SIZE	CAGE CODE	DRAWING NO	RESTRICTED TO
A1	00779	2151934	-

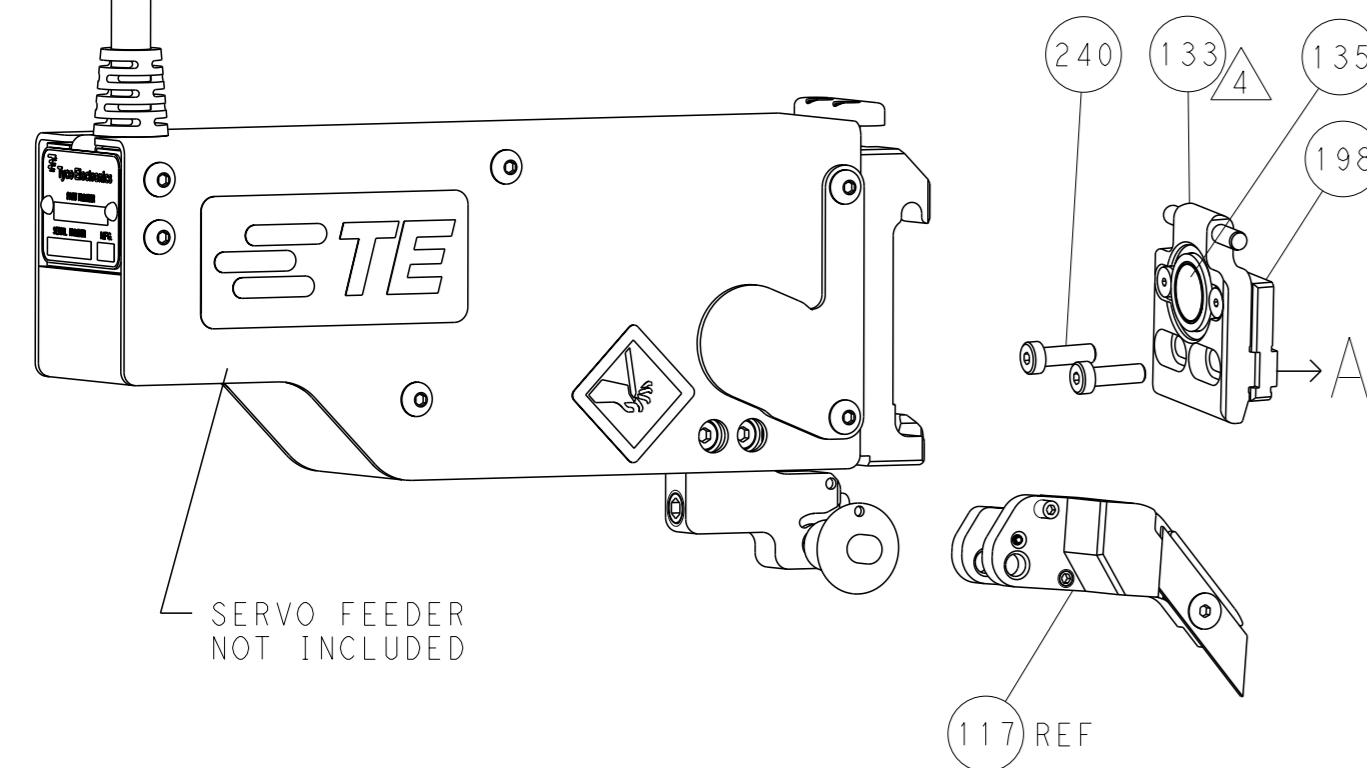
LOC		DIST		REVISIONS			
A	66	P	LYR	DESCRIPTION	DATE	OWN	APVD
		-		SEE SHEET 1			

FEED TYPE

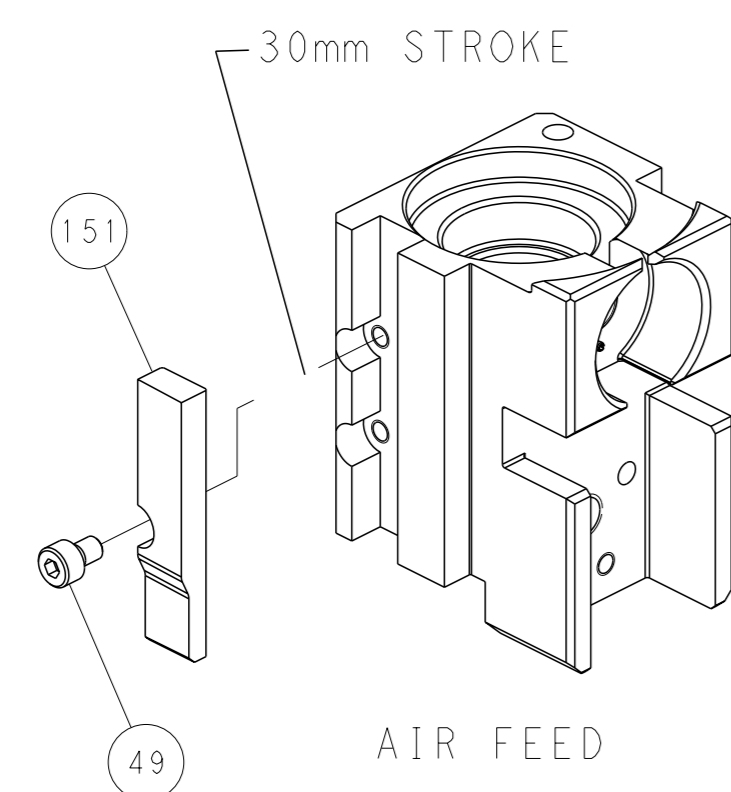
PNEUMATIC



SERVO LATCH PLATE

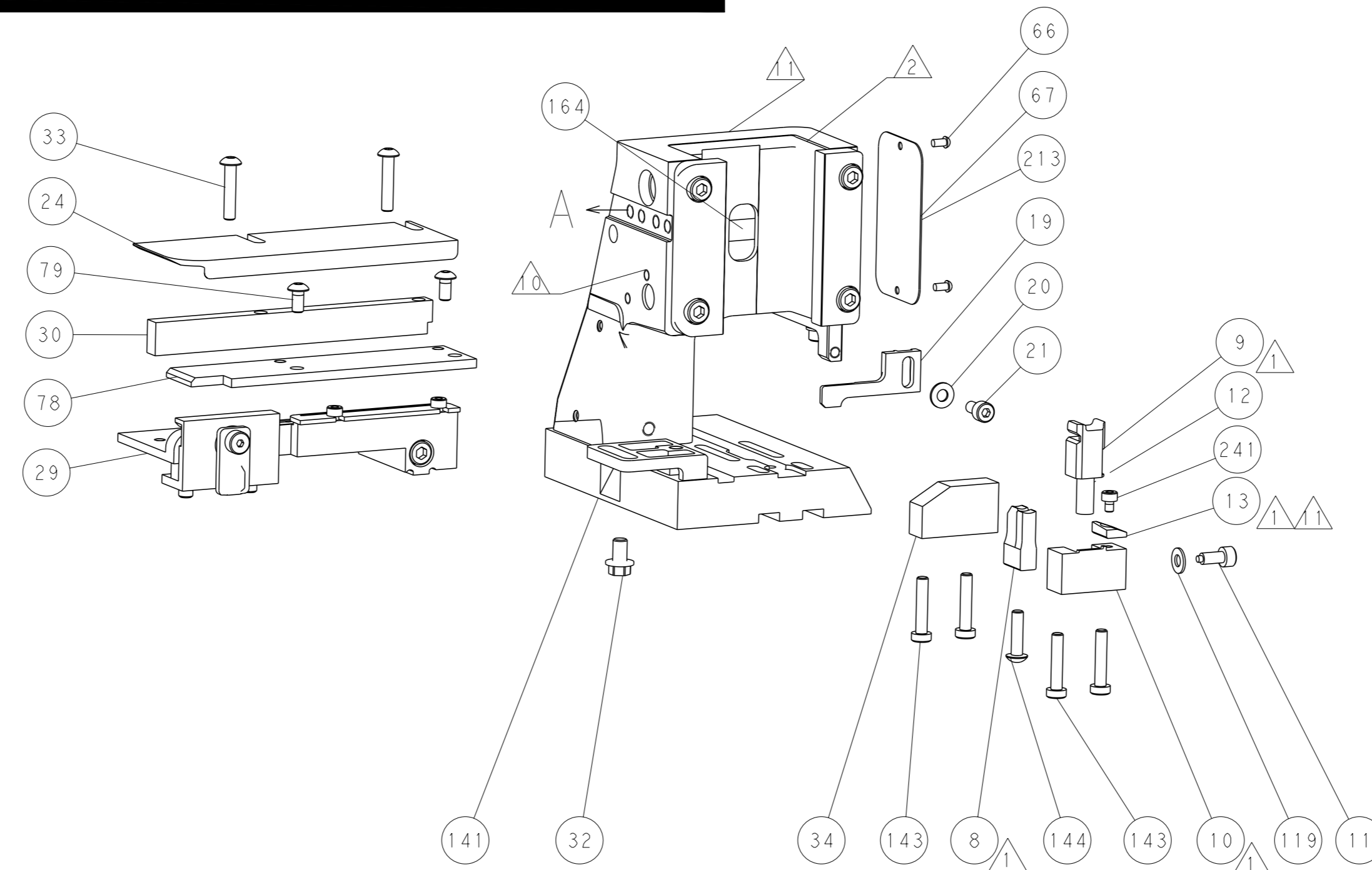


CAM POSITIONS

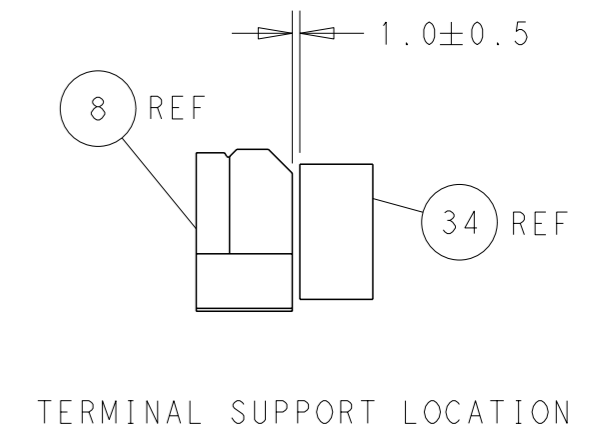


AIR FEED

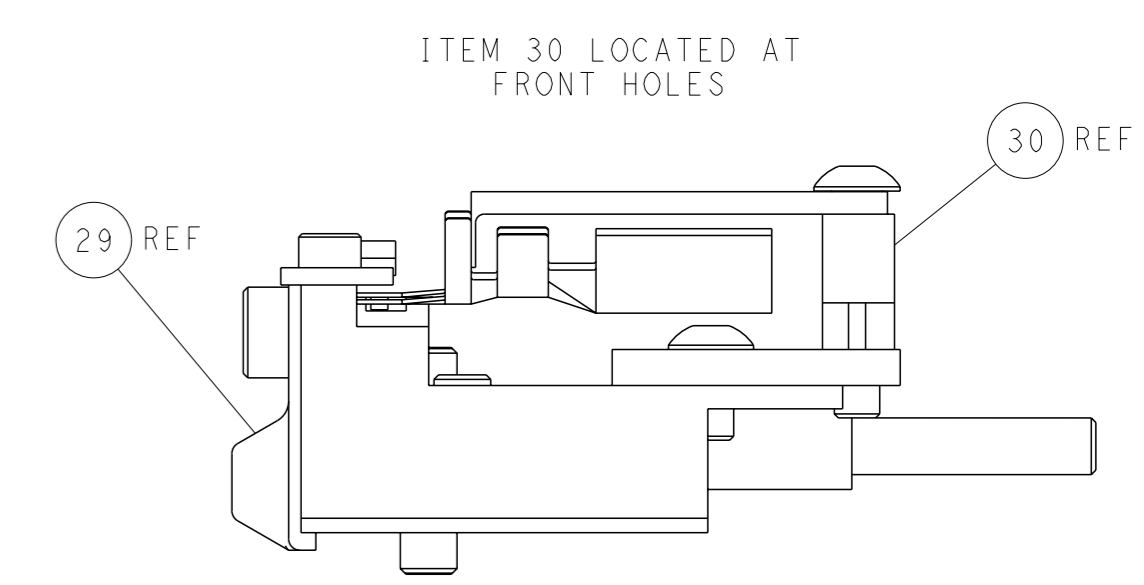
SUPERSEDED BY:
2836527



PACIFIC VERSION
 Shown on sheets 3 of 4 & 4 of 4
 (Atlantic version shown on sheets 1 of 4 & 2 of 4)



TERMINAL SUPPORT LOCATION



FEED TRACK POSITION GUIDE BY INSULATION BARREL

<small>THIS DRAWING IS A CONTROLLED DOCUMENT FOR TYCO ELECTRONICS CORPORATION. IT IS SUBJECT TO CHANGE AND THE CONTROLLING ENGINEERING ORGANIZATION SHOULD BE CONTACTED FOR THE LATEST REVISION.</small>		OWN: E. OLIVEIRA CHK: S. MORAES APVD: C. LIMA PRODUCT SPEC APPLICATION SPEC WEIGHT: - MATERIAL: -	01JAN2012 01JAN2012 01JAN2012 NAME: Ocean Side Feed Applicator SIZE: A1 CAGE CODE: 00779 DRAWING NO: C=2151934 SCALE: 1:2 SHEET: 4 of 4 REV: A2	TE Connectivity Harrisburg, PA 17105-3608
----------------------------------------------------------------------------------------------------------------------------------------------------------------------------------------------------------	--	---------------------------------------------------------------------------------------------------------------------	----------------------------------------------------------------------------------------------------------------------------------------------------------------------------	----------------------------------------------