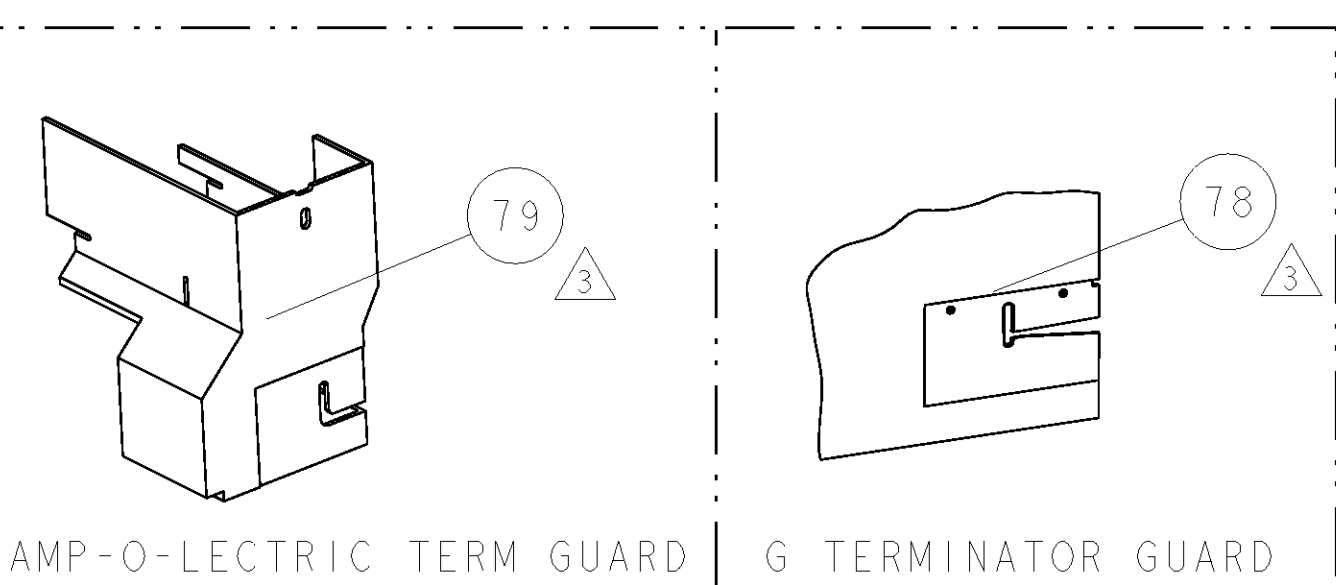
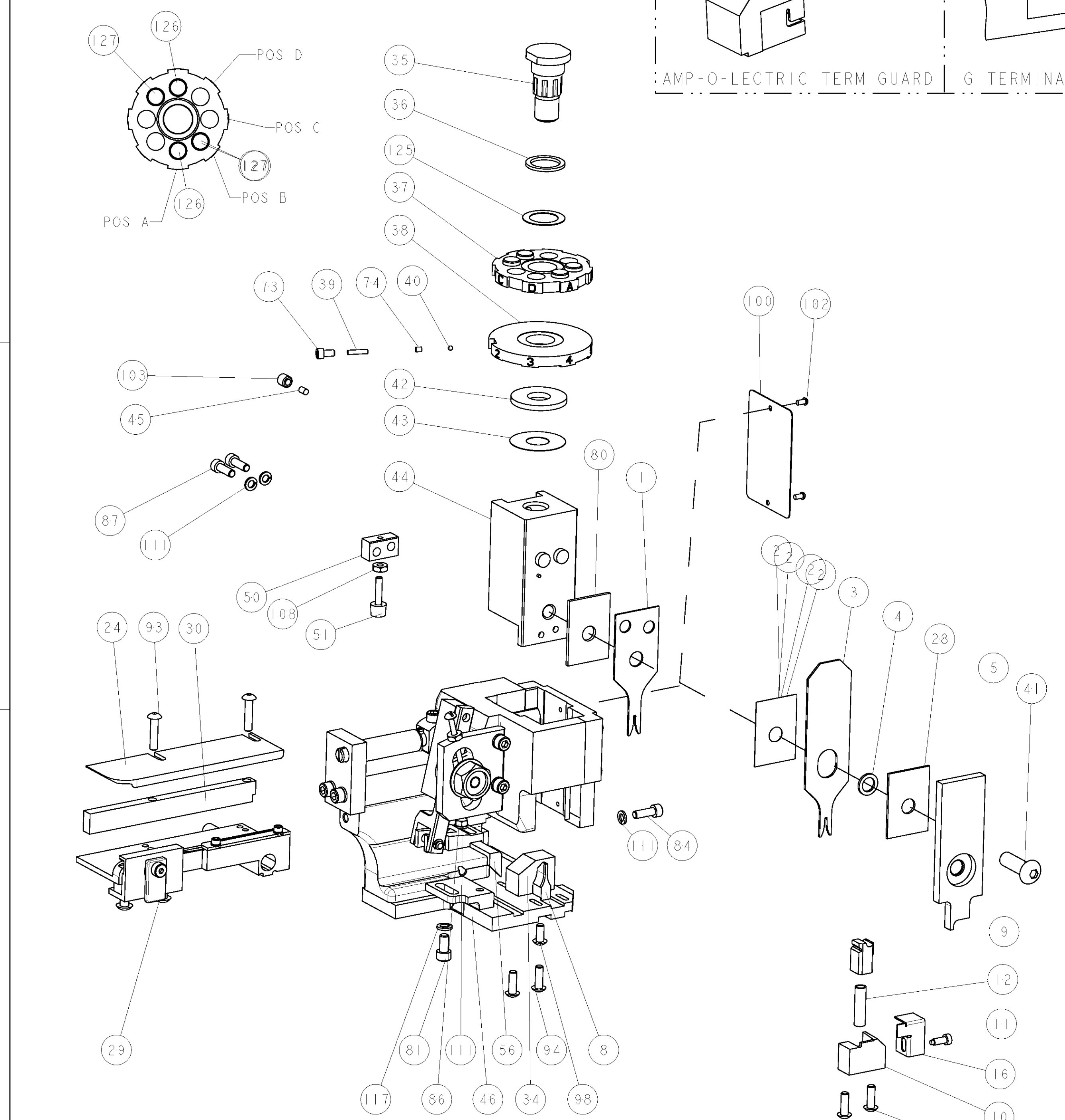


PART NUMBER	REV	FIRST USED	POWER UNIT	FEED TYPE
1385815-1	B	122500-1	LEADMAKER	POST FEED
1385815-2	B	565435-5	BENCH MODEL K	PRE FEED
1385815-3	B	354500-1	BENCH MODEL G	PRE FEED



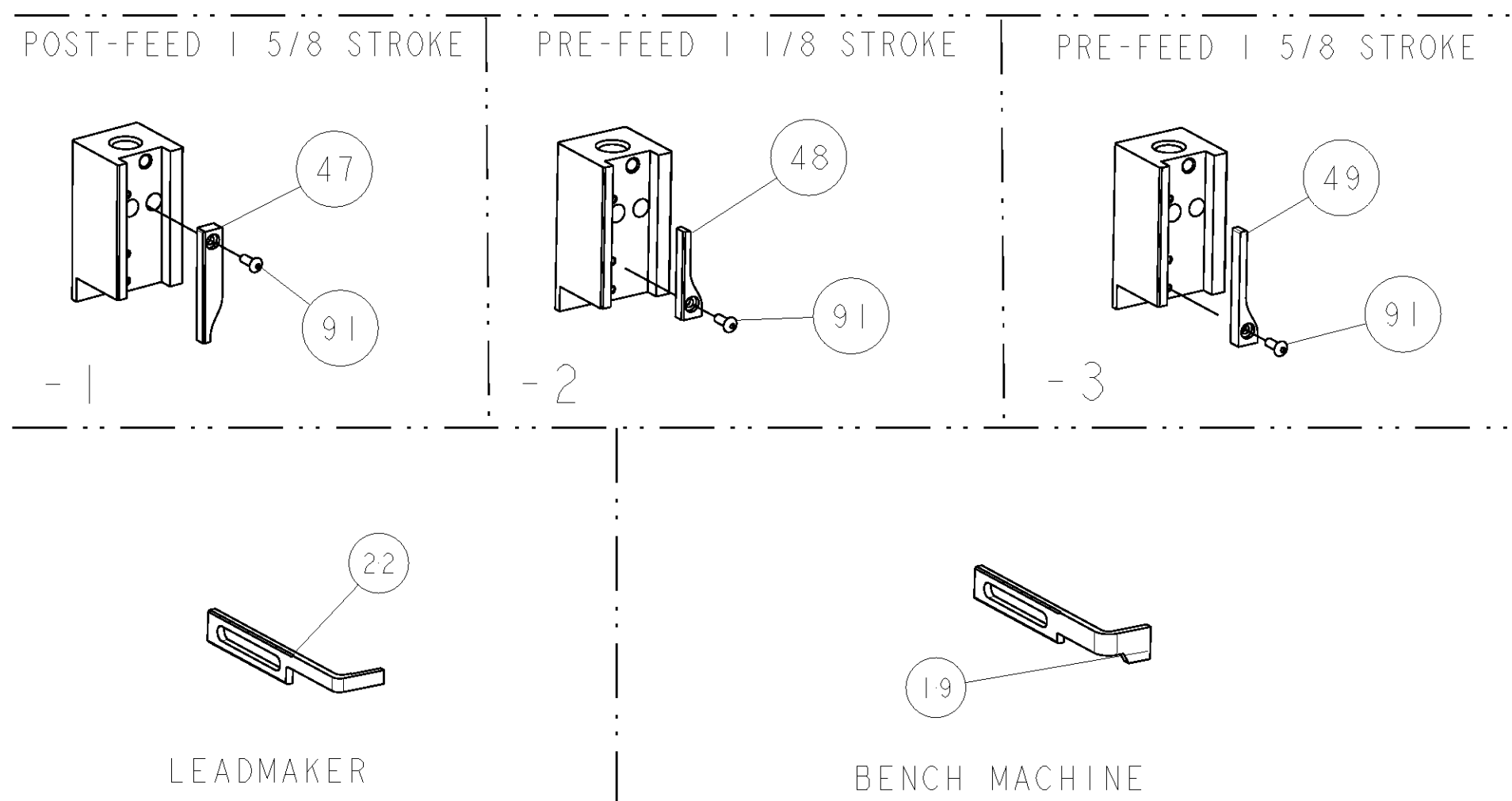
TERMINAL NAME: JAE TERMINAL				
TE PN	JAE PN	JAE TERMINAL - AMP CRIMP SPECS		
1572557	JN1-22-22S-10000			
		PAD LTR	CRIMP HEIGHT	WIRE SIZE
-	-	A	.033±.002 [.84±0.05mm]	22 AWG
-	-	B	.030±.002 [.76±0.05mm]	24 AWG
-	-	C	-	-
-	-	D	-	-
SEAL PN.	CRIMP	SIZE	TYPE	RANGE
-	-	.047 [1.19mm]	F	22-24 AWG
-	-	.055 [1.40mm]	F	∅.060 MAX
WIRE STRIP LENGTH	TERM APPL SPEC	FEED	APPL INSTRUCTIONS	SET UP GAGE
.054 - .069	NONE	.250	408-8040	458637-1

LOC	DIST	REVISIONS				
A	66	REV	DESCRIPTION	DATE	DWN	APVD
		A	RELEASED	02SEP2004	RK	GB
		B	ECR-10-021642	22OCT2010	MY	TE



- △ RECOMMENDED SPARE PARTS
- △ GREASE LIGHTLY
- △ GUARD MUST BE IN PLACE WHEN OPERATING APPLICATOR IN A BENCH MACHINE

-	-	-	-	-	-	129
-	-	-	-	-	-	128
2	2	2	-	5-354779-2	PIN, WIRE DISC, .3250	127
2	2	2	-	4-354779-6	PIN, WIRE DISC, .3220	126
1	1	1	-	986950-1	WASHER, FLAT PRECISION	125
1	1	1	-	217238-1	GENERAL INSTRUCTION PKG	124
1	1	1	-	4088040	SF APPL INST 408-8040	123
-	-	-	-	-	-	122
-	-	-	-	-	-	121
-	-	-	-	-	-	120
-	-	-	-	-	-	119
-	-	-	-	-	-	118
1	1	1	-	21024-5	WASHER, SPRG LOCK, REG NO 10	117
-	-	-	-	-	-	116
-	-	-	-	-	-	115
-	-	-	-	-	-	114
-	-	-	-	-	-	113
-	-	-	-	-	-	112
4	4	4	-	21024-4	WASHER, SPRG LOCK, REG NO 8	111
-	-	-	-	-	-	110
-	-	-	-	-	-	109
1	1	1	-	21018-5	NUT, HEX, REG 6-32	108
-	-	-	-	-	-	107
-	-	-	-	-	-	106
-	-	-	-	-	-	105
-	-	-	-	-	-	104
1	1	1	-	21009-2	SCR, SET, SELF LOCKING 1/4-20 X .250	103
2	2	2	-	21017-2	SCREW, DRIVE	102
-	-	-	-	-	-	101
1	1	1	-	461264-1	PLATE, IDENTIFICATION	100
-	-	-	-	-	-	99
1	1	1	-	22733-8	SCR, BHSC, SELF-LOCKING, 8-32 X .375	98
-	-	-	-	-	-	97
-	-	-	-	-	-	96
-	-	-	-	-	-	95
4	4	4	-	2-21002-2	SCR, BTN SKT HD CAP 8-32 X .500	94
2	2	2	-	2-21002-4	SCR, BTN SKT HD CAP 8-32 X .750	93
-	-	-	-	-	-	92
1	1	1	-	1-21002-7	SCR, BTN SKT HD CAP 6-32 X .375	91
-	-	-	-	-	-	90
-	-	-	-	-	-	89
-	-	-	-	-	-	88
2	2	2	-	2-21000-7	SCR, SKT HD CAP 8-32 X .500	87
1	1	1	-	2-22603-0	SCR, HEX HD CAP 8-32 X .312	86
-	-	-	-	-	-	85
1	1	1	-	2-21000-7	SCR, SKT HD CAP 8-32 X .500	84
-	-	-	-	-	-	83
-	-	-	-	-	-	82
1	1	1	-	3-21000-4	SCR, SKT HD CAP 10-32 X .375	81
1	1	1	-	1-455888-6	SPACER, CRIMPER	80
-	-	-	-	-	-	79
-	-	-	-	455749-1	GUARD WINDOW	78
-	-	-	-	679532-1	INSERT, GUARD	77
-	-	-	-	-	-	76
-	-	-	-	-	-	75
-	-	-	-	-	-	74
1	1	1	-	690603-1	SPRING ASSIST AMP-O-MATOR APPLICATOR	73
-3	-2	-1	U/M	PART NO	DESCRIPTION	ITEM NO



-	-	-	-	23030-1	SCR, SKT HD CAP 6-32 x .25	73
-	-	-	-	-	-	72
-	-	-	-	-	-	71
-	-	-	-	-	-	70
-	-	-	-	-	-	69
-	-	-	-	-	-	68
-	-	-	-	-	-	67
-	-	-	-	-	-	66
-	-	-	-	-	-	65
-	-	-	-	-	-	64
-	-	-	-	-	-	63
-	-	-	-	-	-	62
-	-	-	-	-	-	61
-	-	-	-	-	-	60
-	-	-	-	-	-	59
-	-	-	-	-	-	58
-	-	-	-	-	-	57
1	1	1	-	458537-2	PAWL, FEED	56
-	-	-	-	-	-	55
-	-	-	-	-	-	54
-	-	-	-	-	-	53
-	-	-	-	-	-	52
-	-	-	-	-	-	51
1	1	1	-	811242-2	BUMPER, HOLD DOWN	50
1	1	1	-	690753-1	SPACER, TONKER	49
1	1	1	-	690602-6	CAM, PRE FEED, 1 5/8	48
-	-	-	-	690602-5	CAM, PRE FEED, 1 1/8	47
1	1	1	-	690501-4	CAM, POST-FEED 1 5/8	46
1	1	1	-	459456-1	APPL. BASIC SUB ASSEMBLY	45
1	1	1	-	690191-1	PLUG, NYLON	44
1	1	1	-	1-455673-1	RAM	43
1	1	1	-	690125-1	SHIM SUB-ASSY	42
1	1	1	-	690124-1	WASHER, RAM (.115)	41
1	1	1	-	7-21002-9	SCR, BTN SKT HD CAP 5/16-24 X 1.00	40
1	1	1	-	23241-6	BALL, STEEL	39
1	1	1	-	690170-1	SPRING, COMPRESSION	38
1	1	1	-	690142-1	DISC, INSULATION	37
1	1	1	-	354777-1	WIRE DISC, ASSEMBLY	36
1	1	1	-	22480-5	SPRING, COMPRESSION	35
1	1	1	-	690212-1	POST, RAM	34
1	1	1	-	690786-6	TERMINAL SUPPORT	33
-	-	-	-	-	-	32
-	-	-	-	-	-	31
1	1	1	-	1320908-4	SPACER, STRIP GUIDE	30
1	1	1	-	1633091-2	SUB-ASSEMBLY, FEEDTRACK	29
1	1	1	-	1-455888-0	SPACER, CRIMPER	28
-	-	-	-	-	-	27
-	-	-	-	-	-	26
-	-	-	-	-	-	25
1	1	1	-	1320928-1	PLATE, STRIP GUIDE	24
-	-	-	-	-	-	23
-	-	-	-	-	-	22
-	-	-	-	690472-2	STRIPPER	21
-	-	-	-	-	-	20
1	1	1	-	691353-1	STRIPPER	19
-	-	-	-	-	-	18
-	-	-	-	-	-	17
1	1	1	-	318563-1	GUARD, FRONT CHIP	16
-	-	-	-	-	-	15
-	-	-	-	-	-	14
-	-	-	-	-	-	13
1	1	1	-	3-22280-3	SPRING, COMPRESSION	12
1	1	1	-	690461-1	STOP, SHEAR	11
1	1	1	-	690459-1	SHEAR HOLDER, FRONT	10
1	1	1	-	462006-1	FLOATING SHEAR, FRONT	9
1	1	1	-	1633116-9	ANVIL, COMBINATION	8
-	-	-	-	-	-	7
-	-	-	-	-	-	6
1	1	1	-	2-455889-0	DEPRESSOR, SHEAR	5
1	1	1	-	3-238011-7	BLOCK, CRIMPER SPACER	4
1	1	1	-	1424909-7	CRIMPER, INSULATION F	3
1	1	1	-	455888-1	SPACER, CRIMPER	2
1	1	1	-	1-568176-8	CRIMPER, WIRE	1

INCHES	TOLERANCES UNLESS OTHERWISE SPECIFIED:	FINISH	WEIGHT	SHEET	OF	REV
	3 PLC ±.001			3	1	B
	2 PLC ±.005					
	1 PLC ±.010					
	4.5° ANGLES ±.0001					

TYCO ELECTRONICS CORPORATION
 PRODUCT SPEC: SIDE FEED HDM APPLICATOR
 APPLICATION SPEC: -
 MATERIAL: -
 FINISH: -
 DRAWING NO: A11 00779
 SCALE: 3:5