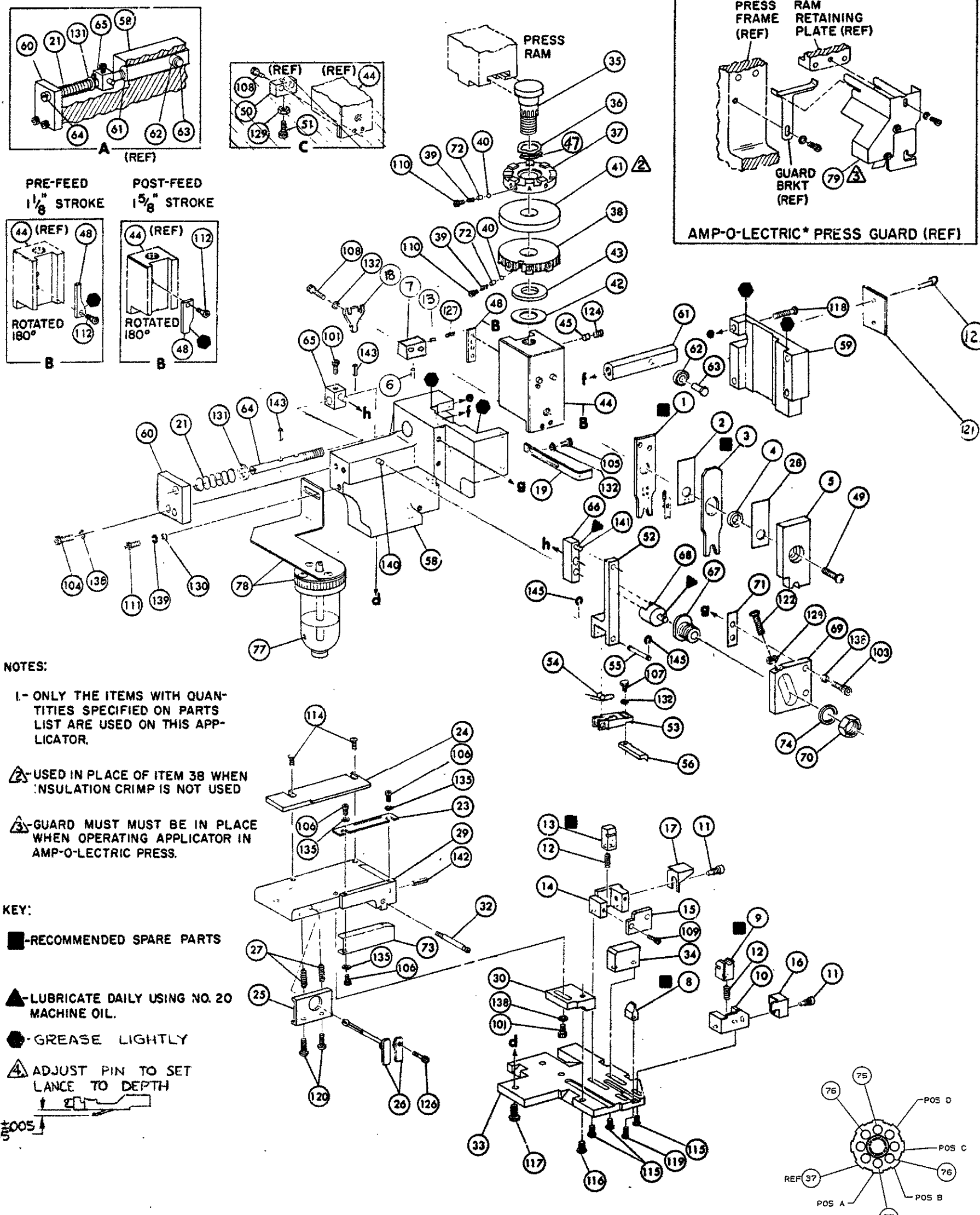


THIS IS A CONTROLLED DOCUMENT.



NOTES:

I- ONLY THE ITEMS WITH QUANTITIES SPECIFIED ON PARTS LIST ARE USED ON THIS APPLICATOR.

△ USED IN PLACE OF ITEM 38 WHEN INSULATION CRIMP IS NOT USED

△ GUARD MUST BE IN PLACE WHEN OPERATING APPLICATOR IN AMP-O-LECTRIC PRESS.

KEY:

- -RECOMMENDED SPARE PARTS
- ▲ -LUBRICATE DAILY USING NO. 20 MACHINE OIL.
- -GREASE LIGHTLY
- △ ADJUST PIN TO SET LANCE TO DEPTH

QTY	PART NO	DESCRIPTION	ITEM	QTY	PART NO	DESCRIPTION	ITEM
2	21045-3	RING, RETAINING 'C' (.187 DIA) FEED FINGER PIN	145	1	454220-1	CAP, HOUSING	59
2	5-21028-1	PIN, SLOT SPR (.125 DIA X .50) ADJ ROD	143	1	454485-2	HOUSING	58
1	4-21028-0	PIN, SLOT SPR (.093 DIA X .75) STR G PLATE	142	1	458537-2	PAWL, FEED	57
1	1-21030-1	PIN, DOWEL (.187 DIA X .50) LEVER	141	1	240624-1	PIN, FEED FINGER	56
1	1-21030-6	PIN, DOWEL (.187 DIA X 1.25) HOUSING	140	1	691499-1	SPRING, FEED FINGER	55
5	21024-5	WASHER, LOCK (NO 10) LUB ASSY	139	1	690541-1	FINGER, FEED	54
2	21024-4	WASHER, LOCK (NO 10) STRIP GUIDE ADJ BLOCK	138	1	455679-2	LEVER, TERMINAL FEED ARM	53
2	21024-5	WASHER, LOCK (NO 10) ADJ PLATE	137	1		BUMPER, HOLDDOWN	51
2	21024-5	WASHER, LOCK (NO 10) FEED GUIDE ROD	136	1		SPACER, TONKER	50
2	21024-2	WASHER, LOCK (NO 4) FRONT STRIP GUIDE	135	1	7-21002-9	BOLT, CRIMPER	49
1	21024-4	WASHER, LOCK (NO 8) FEED FINGER	134	1	690501-4	CAM, POST FEED 1 5/8 STROKE	48
2	21024-4	WASHER, LOCK (NO 8) DEPRESSOR	133	1	986950-1	WASHER	47
4	21024-4	WASHER, LOCK (NO 8) STRIPPER	132	1	459456-1	APPLICATOR, BASIC (SUB ASSY)	46
1	21899-4	WASHER, FLAT (5/16 DIA) SCREW ADJ	131	1	690191-1	PLUG, NYLON	45
1	21899-2	WASHER, FLAT (NO 10) LUB ASSY	130	1	455673-1	RAM	44
2	21018-5	NUT, HEX MACH (6-32) HOLDDOWN	129	1	690125-1	WASHER, LAMINATED	43
1	21068-5	NUT, HEX MACH (6-32) FEED ADJ	128	1	690124-4	WASHER, RAM	42
1	2-21008-1	SCR, SOC SET (4-40 X .25) PIN, HOLDER	127	1		DISC, SPACER	41
1	22353-8	SCR, SHLD. (.187 DIA X .250 LG) DRAG LEVER	126	1	23241-6	BALL, STEEL	40
1			125	1	690170-1	SPRING, COMPRESSION	39
2	21009-2	SCR, SKT SET (1/4-20 X .25) (LOC-WEL) RAM	124	1	690142-1	DISC, INSULATION	38
1	21017-2	SCR DRIVE (2 X .19) I.D. PLATE	123	1	354777-1	DISC, WIRE	37
1	6-23715-5	SCR, RD HD MACH (6-32 X 1.50) FEED ADJ	122	1	22480-5	WASHER, SPRING	36
1	461264-1	PLATE, IDENTIFICATION	121	1	690212-1	POST, RAM	35
2	2-21002-9	SCR, BUT HD SKT CAP (10-32 X .75) DRAG	120	1	690474-5	SUPPORT, TERMINAL	34
1	22733-8	SCR, BUT HD SKT CAP (8-32 X .38) (LOC-WEL) ANVIL	119	1	455675-1	PLATE, BASE	33
4	2-21002-9	SCR, BUT HD SKT CAP (10-32 X .75) CAP	118	1	690432-3	SCREW, ADJUSTMENT	32
3	2-22733-8	SCR, BUT HD SKT CAP (1/4-20 X .75) HOUSING	117	1			31
1	2-21002-7	SCR, BUT HD SKT CAP (10-32 X .50) SG ADJ BLOCK	116	1	455689-1	BLOCK, STRIP GUIDE ADJ	30
4	2-21002-2	SCR, BUT HD SKT CAP (8-32 X .50) SHEAR	115	1	458144-9	PLATE, STRIP GUIDE	29
2	2-21002-3	SCR, BUT HD SKT CAP (8-32 X .62) R STRIP GUIDE	114	2	1-22284-0	SPACER, FRONT SHEAR DEPRESSOR	28
1	1-21002-7	SCR, BUT HD SKT CAP (6-32 X .38) CAM	113	2	240793-1	SPRING, DRAG	27
1	3-21000-4	SCR, SKT HD CAP (10-32 X .38) LUBRICATOR ASSY	111	1	240792-1	LEVER, DRAG RELEASE	26
1	23030-1	SCR, SKT HD CAP (8-32 X .25) (LOC-WEL) CP DISC	110	1	5-690504-8	DRAG, STOCK	25
1			109	1	690433-1	GUIDE STRIP (REAR)	24
2	2-21000-8	SCR, SKT HD CAP (8-32 X .62) DEPRESSOR	108	1	690433-1	GUIDE, STRIP (FRONT)	23
1	2-22803-0	SCR, HEX HD MACH (8-32 X .31) FEED FINGER	107	1	4-22284-9	SPRING, FEED RETURN	22
3	1-21000-3	SCR, SKT HD CAP (4-40 X .25) F STRIP GUIDE	106	1			21
1	2-21000-7	SCR, SKT HD CAP (8-32 X .50) STRIPPER	105	1	690472-6	STRIPPER	20
2	3-21000-7	SCR, SKT HD CAP (10-32 X .75) FEED ROD GUIDE	104	1	46965-1	HOLDER, TERMINAL	19
2	3-21000-8	SCR, SKT HD CAP (10-32 X .62) FEED ADJ BLOCK	103	1		GUARD, CHIP (REAR)	18
2	3-21000-4	SCR, SKT HD CAP (10-32 X .38) SG ADJ BLOCK	102	1	691667-3	GUARD, CHIP (FRONT)	17
2	3-21000-4	SCR, SKT HD CAP (10-32 X .38) PIVOT BLOCK	101	1		PLATE, SHEAR (REAR)	16
REF	455755-3	GUARD ASSY	79	1		HOLDER, SHEAR (REAR)	15
1	1-465184-0	LUBRICATOR ASSY	78	1	690191-5	PLUG, NYLON	14
1			77	1	5-22280-0	SPRING, SHEAR	13
2	5-354778-2	PIN, WIRE DISC (.2755) B	76	1	690461-7	STOP, SHEAR	12
2	1-354778-9	PIN, WIRE DISC (.2590) A	75	1	1-690459-0	HOLDER, SHEAR (FRONT)	11
1	458109-1	WASHER, SPECIAL	74	1	454276-7	SHEAR, FLOAT (FRONT)	10
1	454276-7	PLATE, STRIP GUIDE COVER	73	1	3-458834-8	ANVIL	9
1	690603-1	SPRING, ASSIST	72	1	815306-1	HOLDER SETTING PIN	8
1	690517-1	SPACER	71	1	815307-1	PIN, LANCE SETTING	7
1	22594-8	NUT, HEX	70	1	2-455889-1	DEPRESSOR, SHEAR (FRONT)	6
1	240628-1	PLATE, ADJUSTMENT	69	1	238011-1	SPACER, TUBULAR, INS CRIMPER	5
1	240626-1	SHAFT, PIVOT	68	1	6-456135-7	CRIMPER, INSULATION	4
1	240633-1	BUSHING	67	1	1-455888-0	SPACER, CRIMPER	3
1	455680-1	LEVER, INTERMEDIATE	66	1	458141-5	CRIMPER, WIRE	2
1	240629-1	BLOCK, PIVOT	65	1			1
1	240632-2	SCREW, ADJUSTMENT FEED ROD	64				
1	240659-3	PIN, CAM ROLLER	63				
1	240658-1	ROLLER, CAM	62				
1	454398-2	ROD, FEED	61				
1	454178-1	GUIDE, FEED ROD	60				

CRIMPING DATA				APPLICATOR WILL APPLY
PAD LTR	CRIMP HEIGHT	WIRE SIZE	STRIP LENGTH	530519
A	.106	10		
B	.091	12		
C	NOT USED			
D	NOT USED			
CRIMP	SIZE	TYPE	FEED	APPL INST
WIRE	.160	F		A1 8040
INSUL	.250	O	.750	
WIRE RANGE	12-10		INSULATION RANGE PRESS NO	
			.160-.210	
REMARKS				
AMPOMATOR POST FEED				

REVISION RECORD	APPROVE	DATE	REVISION RECORD	APPROVE	DATE
1			1		
2			2		

AMP INCORPORATED
MARIETTA, GA

10466438-1

CUSTOMER AND ASSEMBLY DRAWING