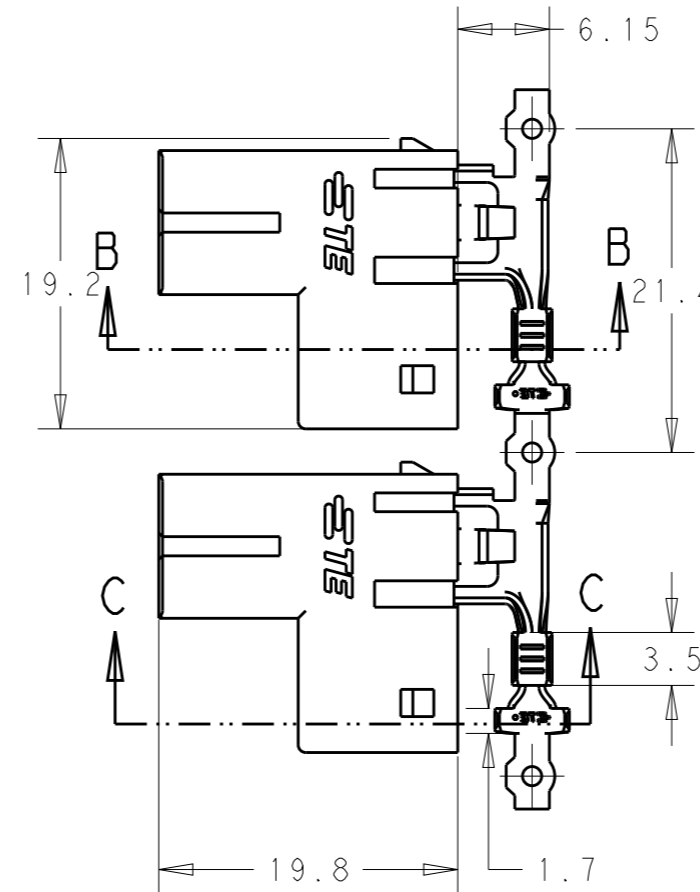
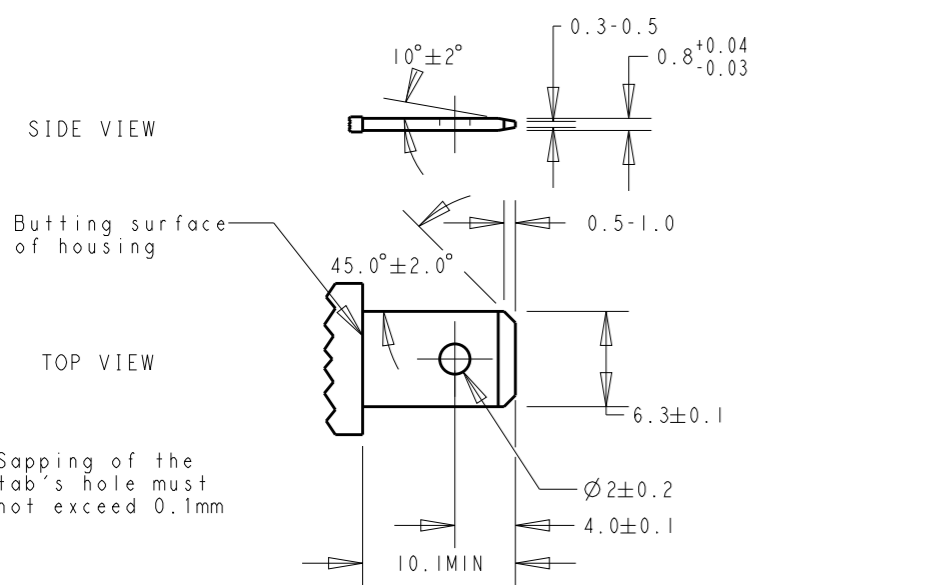
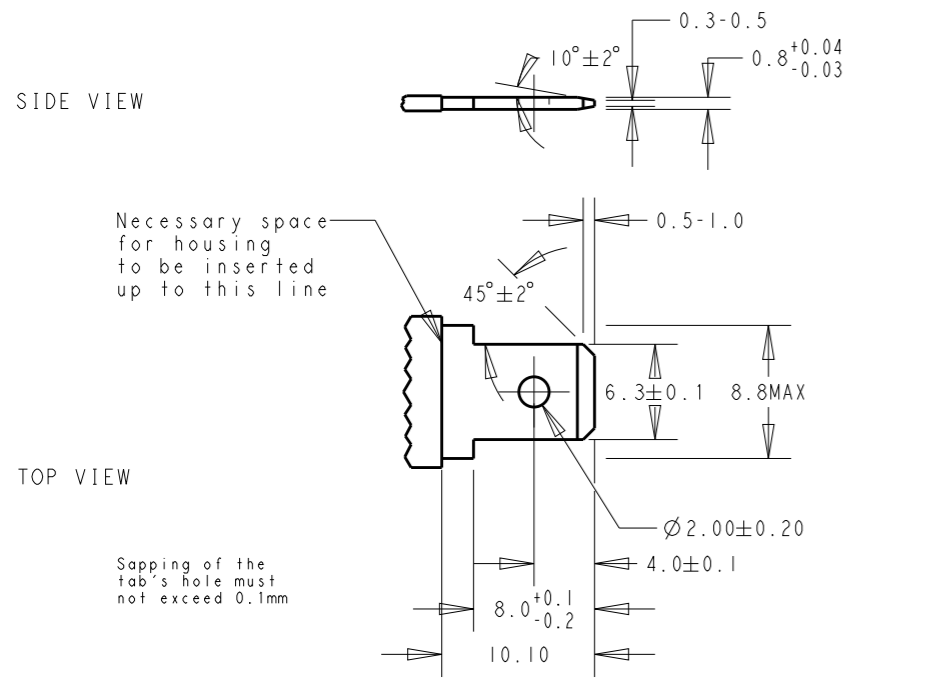


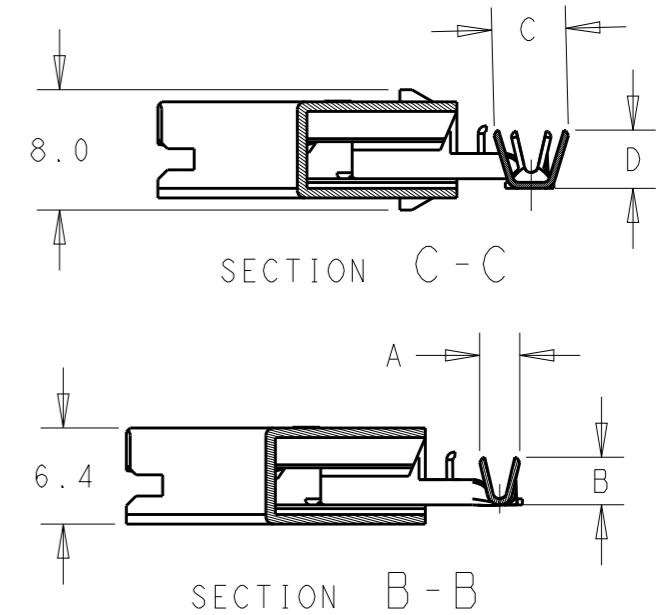
| REVISIONS | | | | | |
|-----------|-----|---------------|-----------|-----|------|
| P | LTR | DESCRIPTION | DATE | DWN | APVD |
| | A9 | ECR-18-014557 | 14SEP2018 | LP | TD |

SUGGESTED MATING TAB



NOTE:

- CONTACT MATERIAL, TIN PLATED BRASS.
- HOUSING MATERIAL, NYLON 6/66, GLASS-FIBRE. UL94V-0.
- GWT 750°C VERSION, ACCORDING TO IEC 60335-1.



| | | | | | | |
|---|-------|---------|-------|----------------------|-----------------|------------------------|
| 6.9REF. (HIGH SIDE) 3.6REF. (SHORT SIDE) | 6.6 | 4.5REF. | 4.2 | 3.40-4.32 3.0-4.0 | 14-12 16-14 | 2299280-3 2299280-2 |
| 3.9REF. | 4.9 | 3.1REF. | 2.7 | 2.2-3.0 | 22-18 | 2299280-1 |
| DIM D | DIM C | DIM B | DIM A | INSULATION | WIRE SIZE (AWG) | P/N |

| | | | | | | |
|--|--|--------------------------------|--------------------------------|----------------|--------------------|-----------|
| THIS DRAWING IS A CONTROLLED DOCUMENT. | | DWN LEI PAN 08FEB2017 | TE Connectivity | | | |
| DIMENSIONS: mm | | CHK TIM DING 08FEB2017 | | | | |
| TOLERANCES UNLESS OTHERWISE SPECIFIED: | | APVD TIM DING 08FEB2017 | NAME POD-LOK 250 FLAG ASSY. | | | |
| 0 PLC ±- 1 PLC ±0.3 2 PLC ±0.25 3 PLC ±- 4 PLC ±- ANGLES ±- | | PRODUCT SPEC 108-106262 | DRAWING NO C-2299280 | | | |
| MATERIAL | | APPLICATION SPEC 114-106262 | SIZE A3 | CAGE CODE - | RESTRICTED TO - | |
| FINISH | | WEIGHT - | SCALE 2:1 | | SHEET 1 OF 1 | REV A9 |
| CUSTOMER DRAWING | | | | | | |